







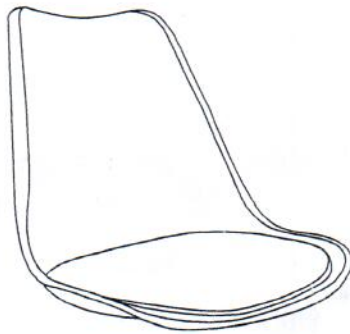
	Ax8
	Bx4
	Cx4
	Dx4
	Ex12
	Fx1
	Gx1
	Hx1
	Ix8



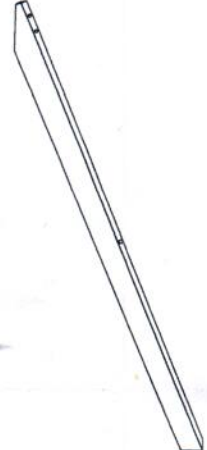
① X1



② X1

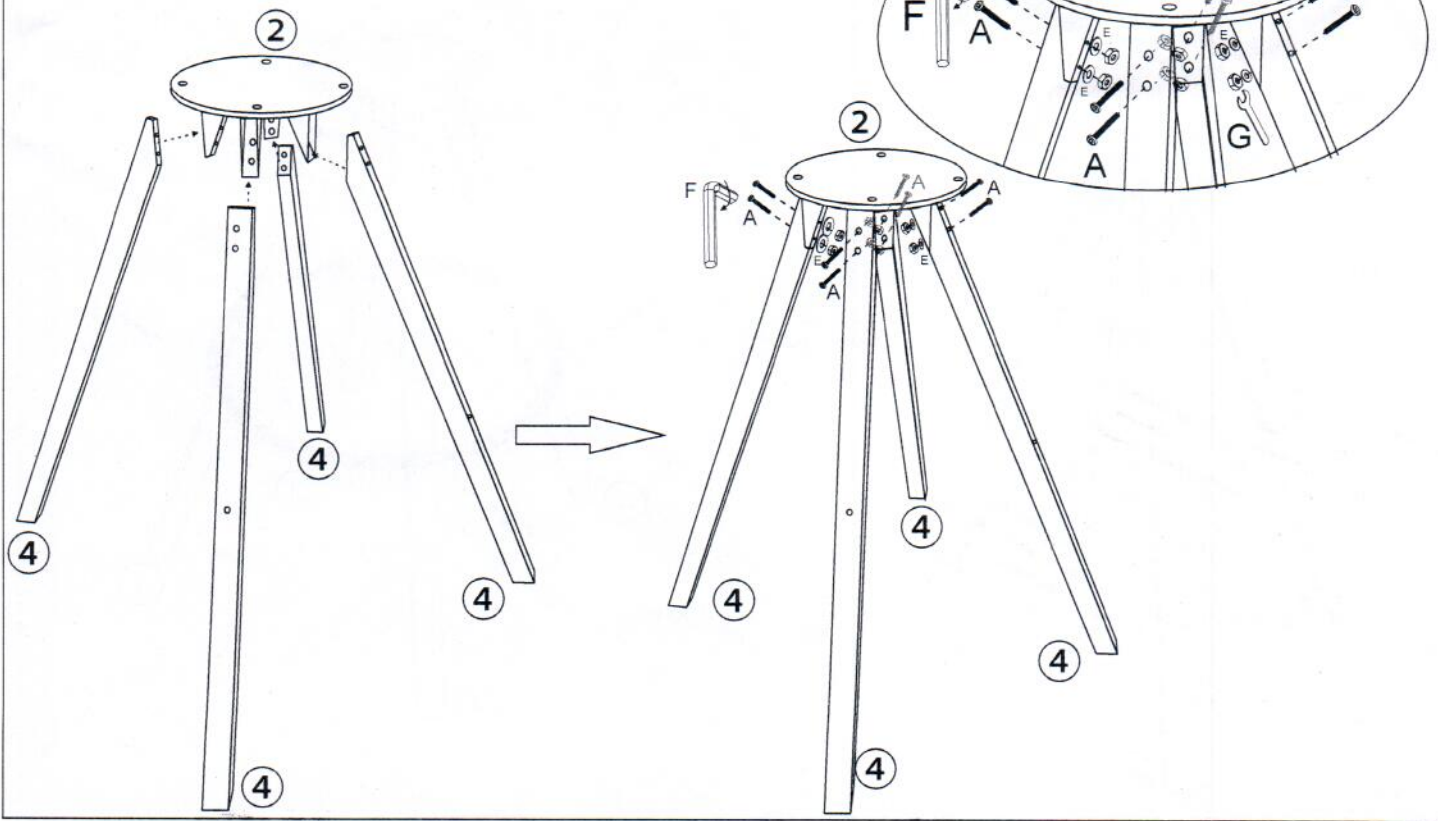


③ X1

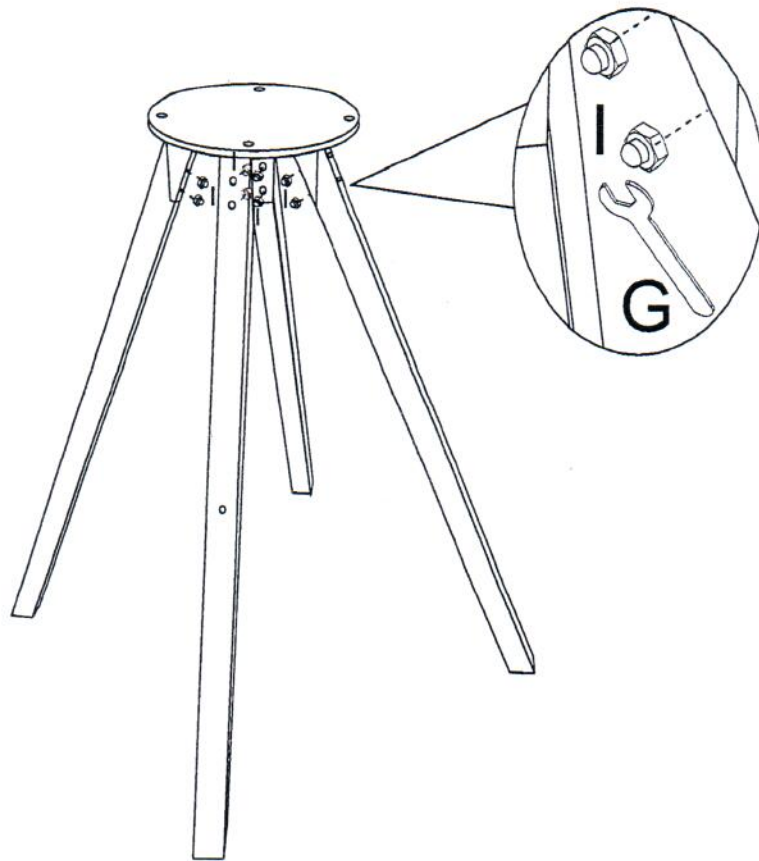


④ X4

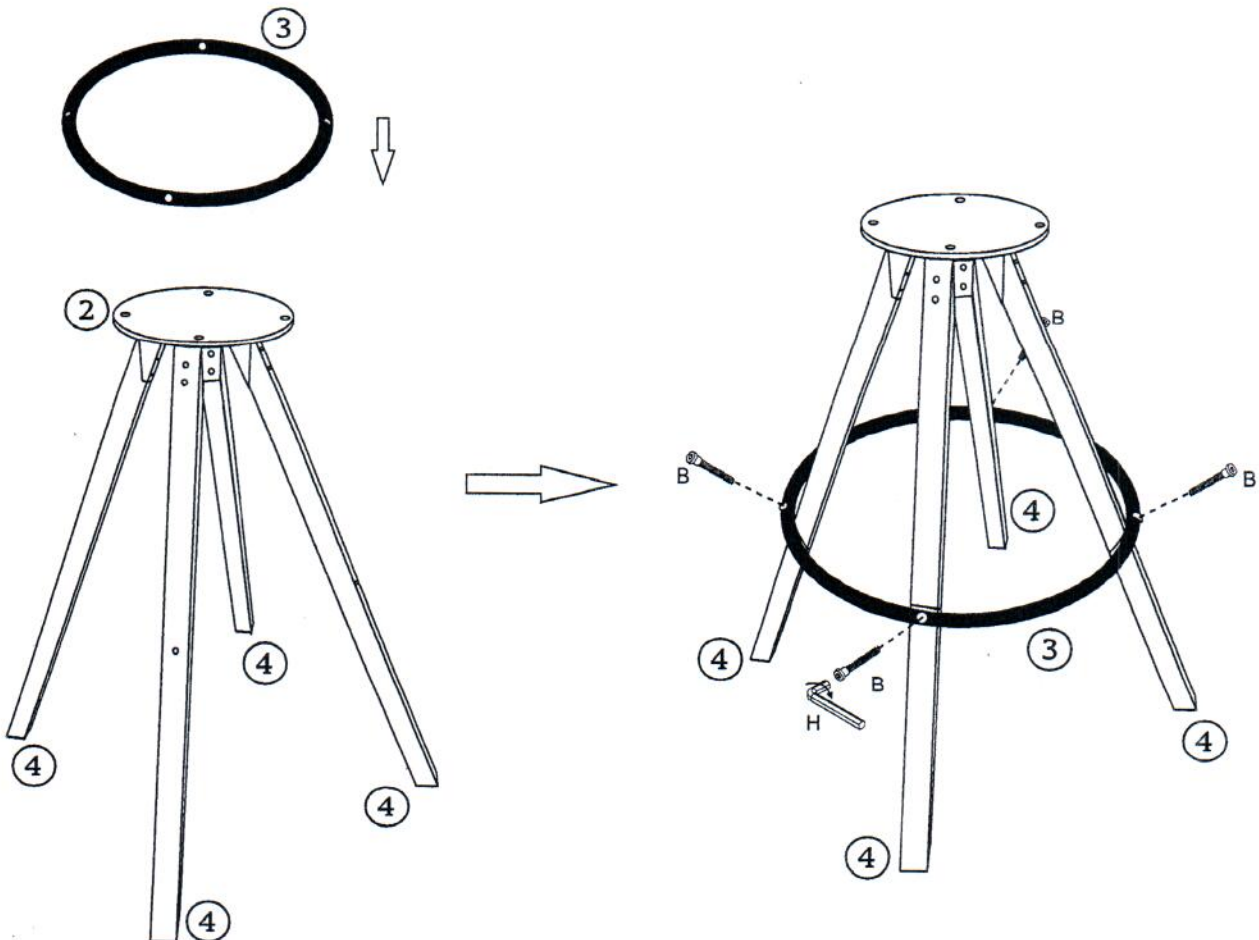
1



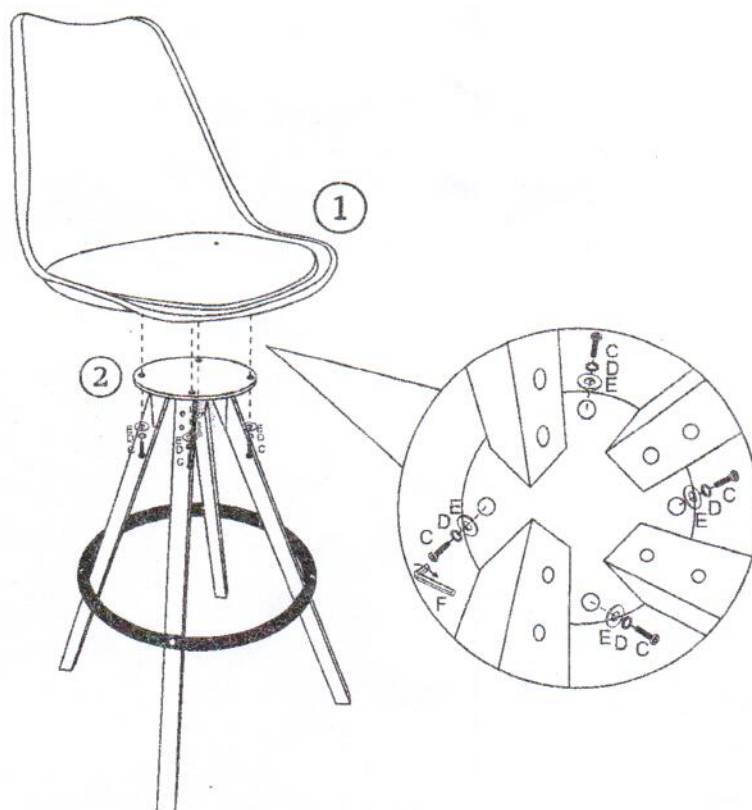
2



3



4



5

